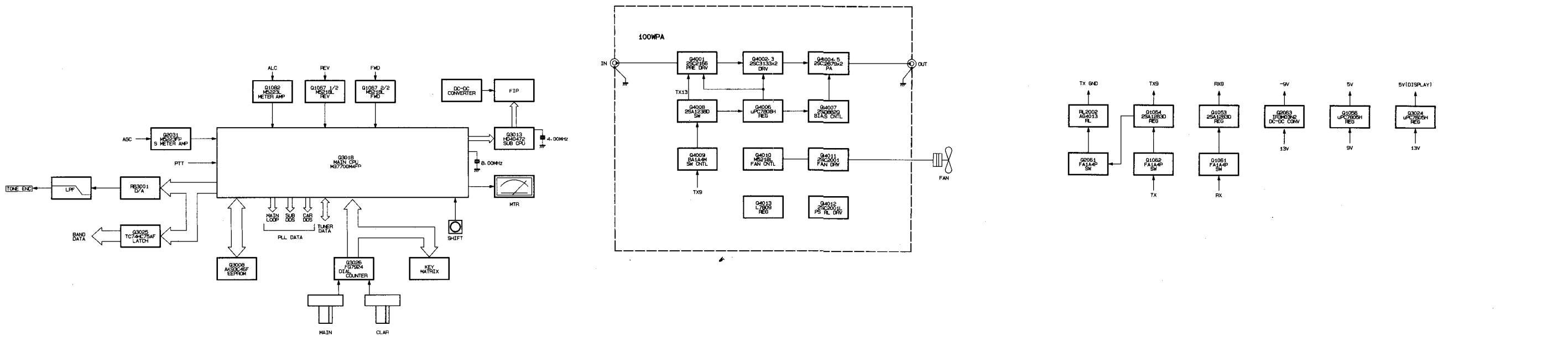
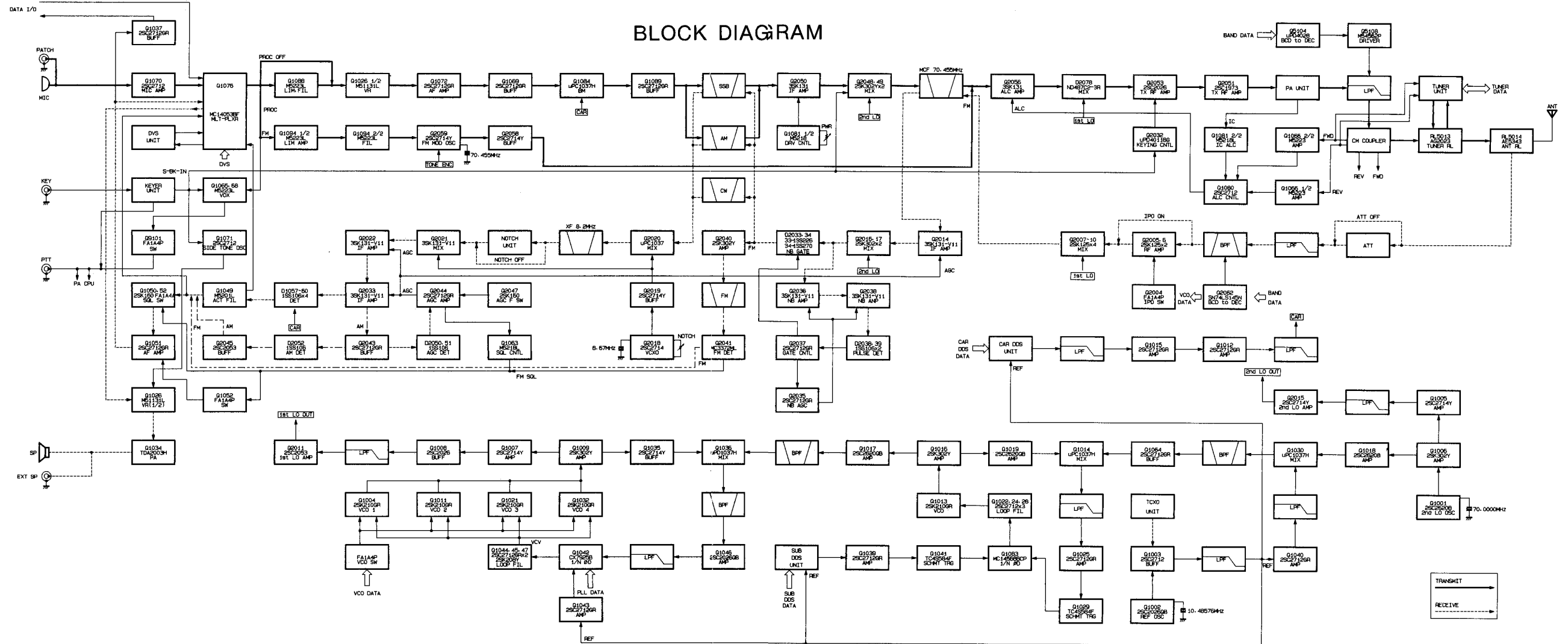
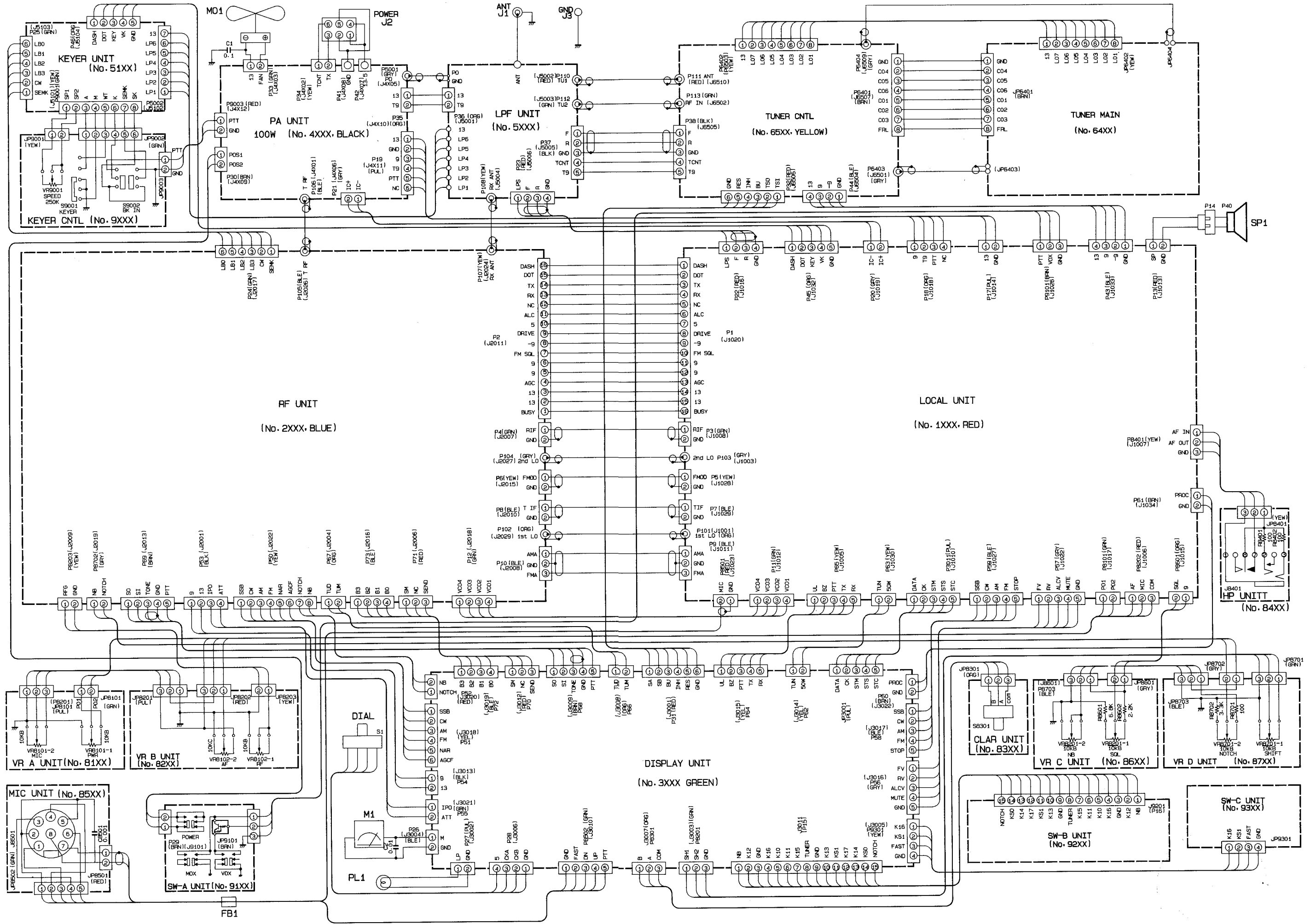


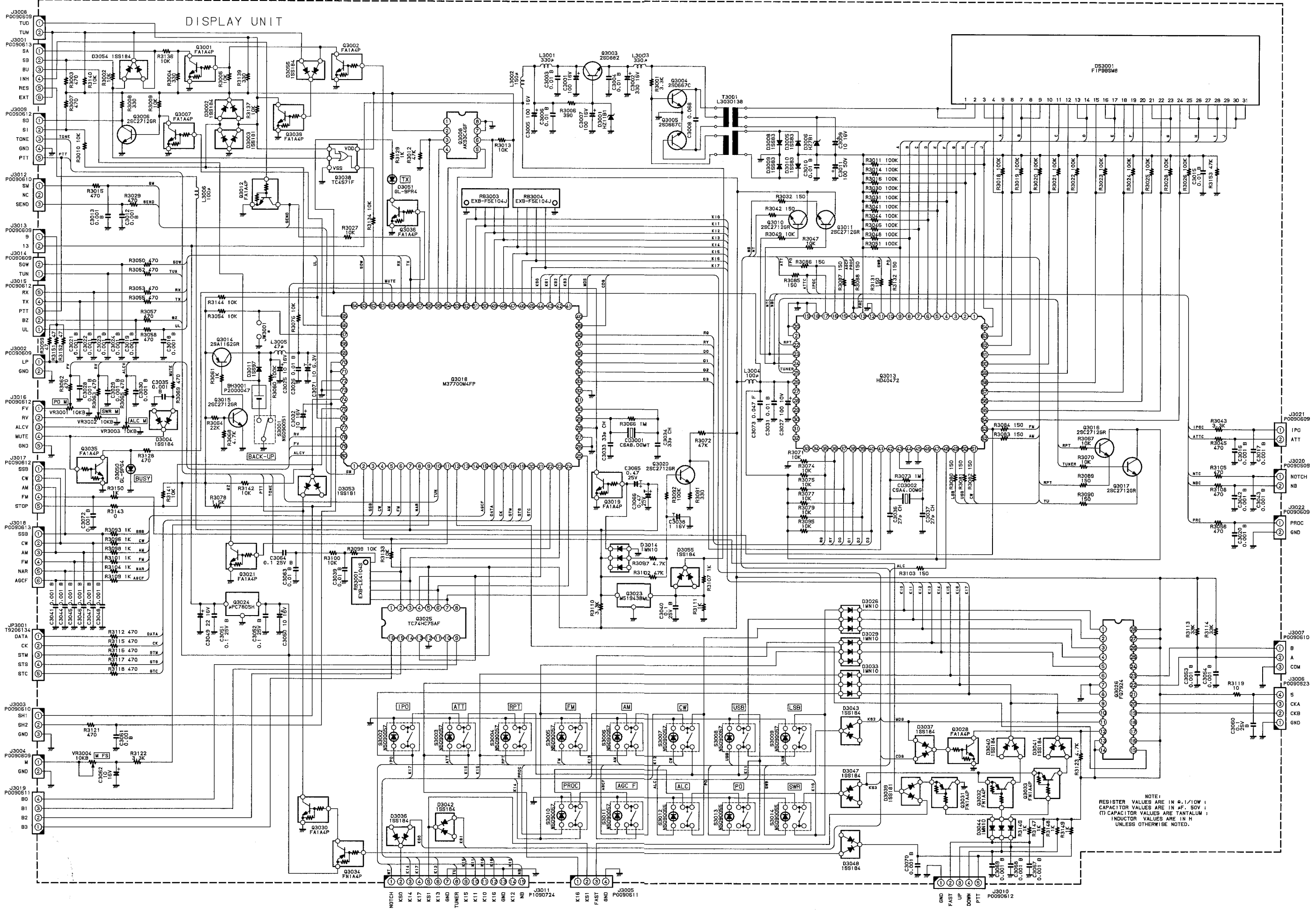
# BLOCK DIAGRAM



# CONNECTION DIAGRAM



DISPLAY UNIT

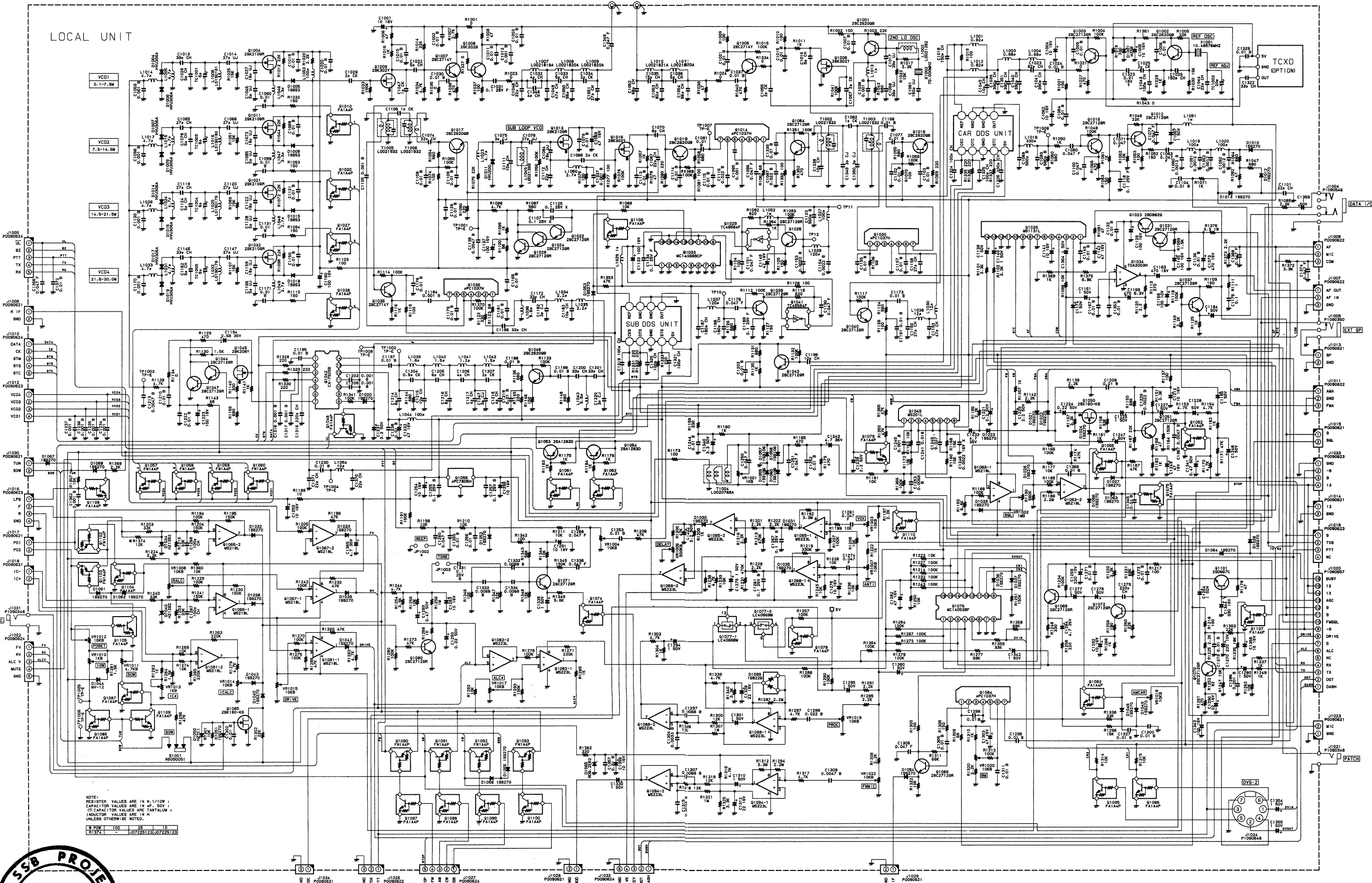


NOTE:  
 RESISTOR VALUES ARE IN Ω, 10Ω;  
 CAPACITOR VALUES ARE IN pF, 50V;  
 (T) CAPACITOR VALUES ARE TANTALUM;  
 INDUCTOR VALUES ARE IN H  
 UNLESS OTHERWISE NOTED.

- J3006 PO09059 TUD
- J3001 PO090513 SA
- J3005 PO090512 SI
- J3012 PO090510 SM
- J3013 PO090509 9
- J3014 PO090509 SOW
- J3015 PO090512 RK
- J3002 PO090509 LP
- J3016 PO090512 RV
- J3017 PO090512 SSB
- J3018 PO090513 SSB
- J3003 PO090510 SH1
- J3004 PO090509 M
- J3019 PO090511 B0
- J3008 PO090510 SH2
- J3009 PO090510 SH1
- J3007 PO090510 B
- J3006 PO090523 5
- J3006 PO090510 COM
- J3006 PO090523 CKA
- J3006 PO090510 CKB
- J3006 PO090510 GND
- J3011 PO090724 K16
- J3005 PO090511 K16
- J3010 PO090512 GND
- J3010 PO090512 FAST
- J3010 PO090512 PTT
- J3010 PO090512 DOWN
- J3010 PO090512 UP
- J3010 PO090512 GND
- J3021 PO090509 IPG
- J3020 PO090509 ATT
- J3022 PO090509 NOTCH
- J3022 PO090509 NB
- J3022 PO090509 PRRC
- J3022 PO090509 GND
- J3007 PO090510 B
- J3007 PO090510 A
- J3007 PO090510 COM
- J3006 PO090523 5
- J3006 PO090510 CKA
- J3006 PO090510 CKB
- J3006 PO090510 GND
- J3011 PO090724 K16
- J3005 PO090511 K16
- J3010 PO090512 GND
- J3010 PO090512 FAST
- J3010 PO090512 PTT
- J3010 PO090512 DOWN
- J3010 PO090512 UP
- J3010 PO090512 GND
- J3021 PO090509 IPG
- J3020 PO090509 ATT
- J3022 PO090509 NOTCH
- J3022 PO090509 NB
- J3022 PO090509 PRRC
- J3022 PO090509 GND
- J3007 PO090510 B
- J3007 PO090510 A
- J3007 PO090510 COM
- J3006 PO090523 5
- J3006 PO090510 CKA
- J3006 PO090510 CKB
- J3006 PO090510 GND

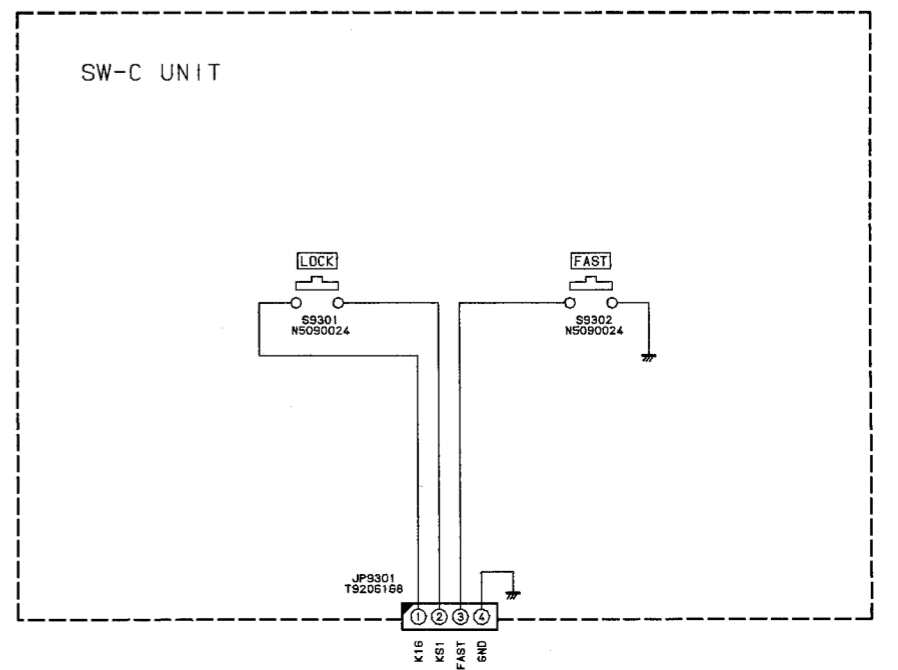
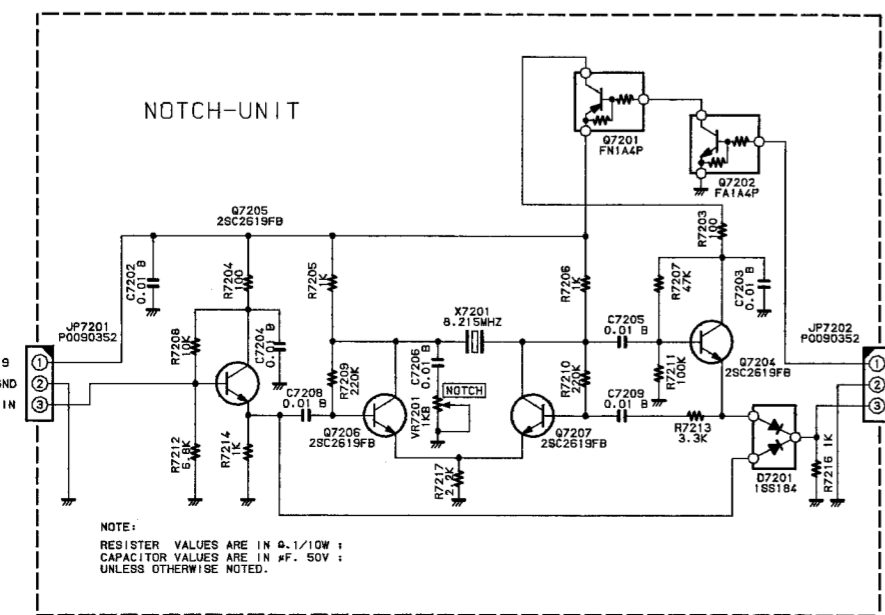
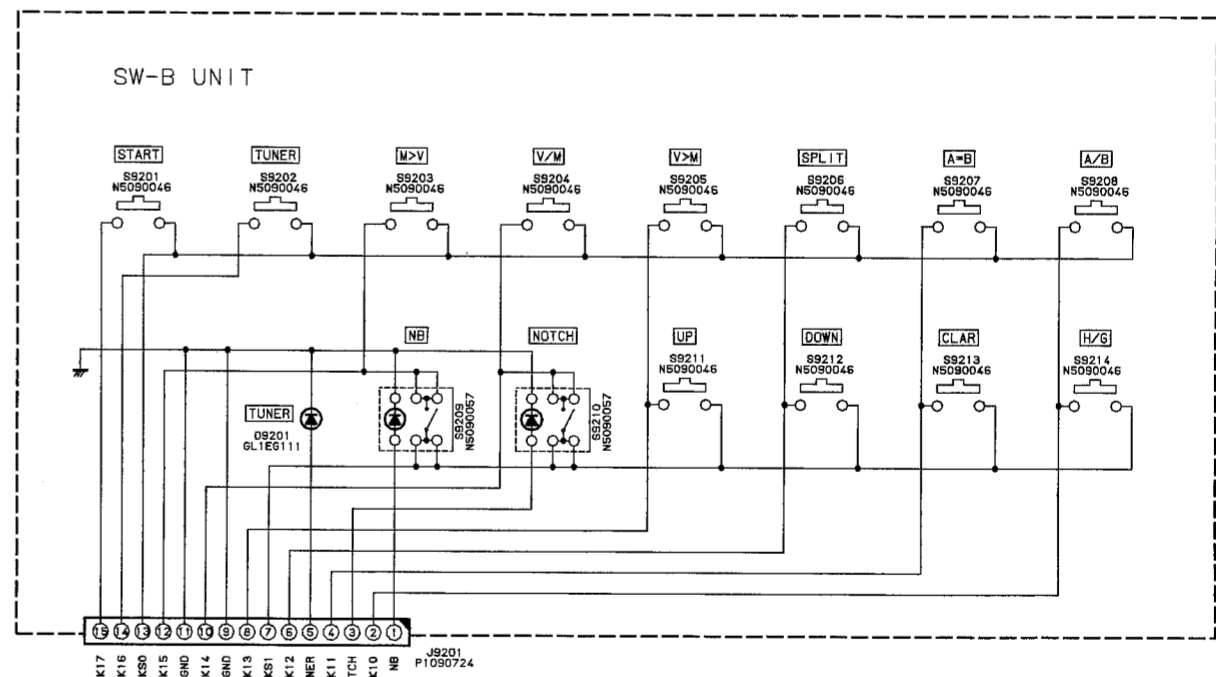
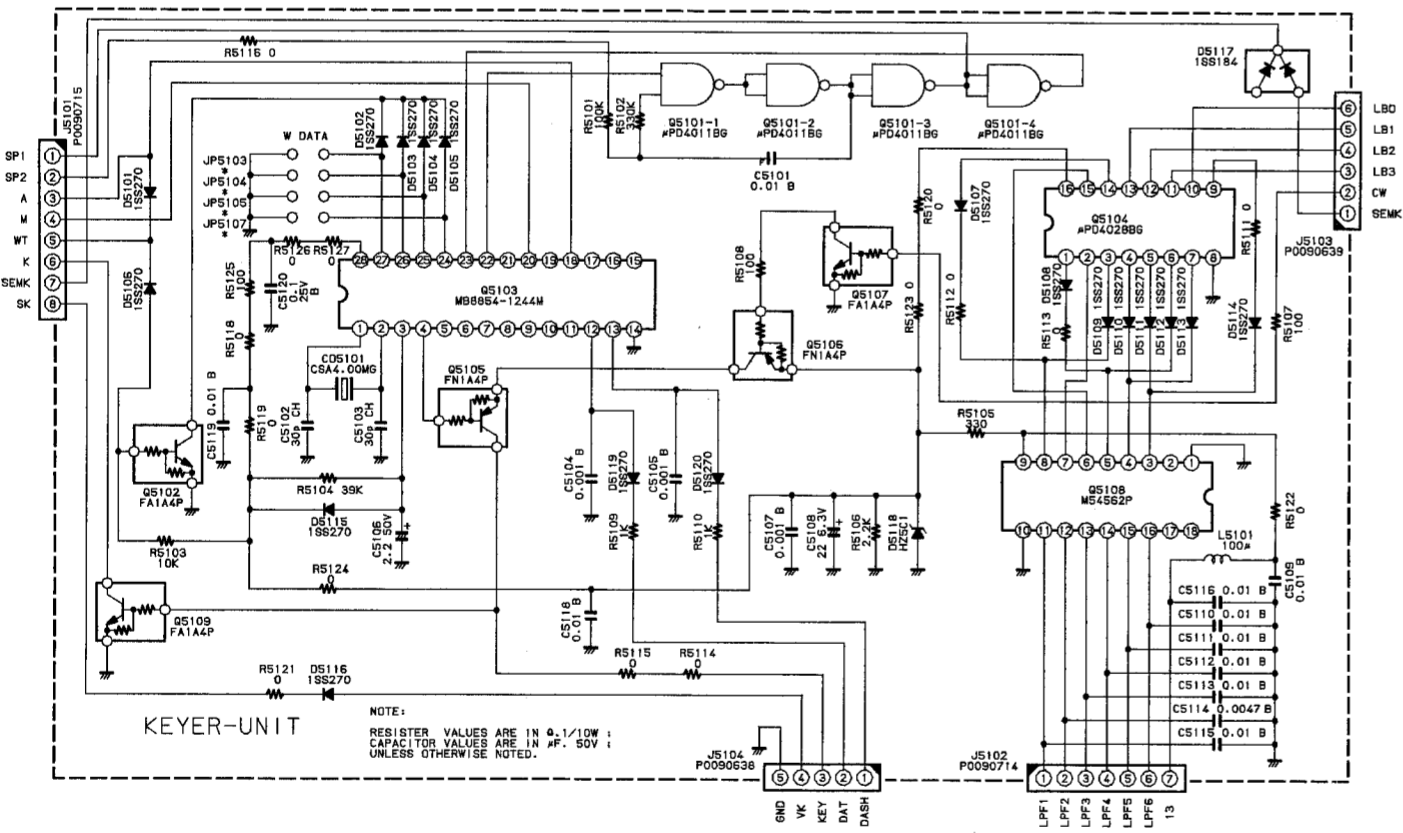
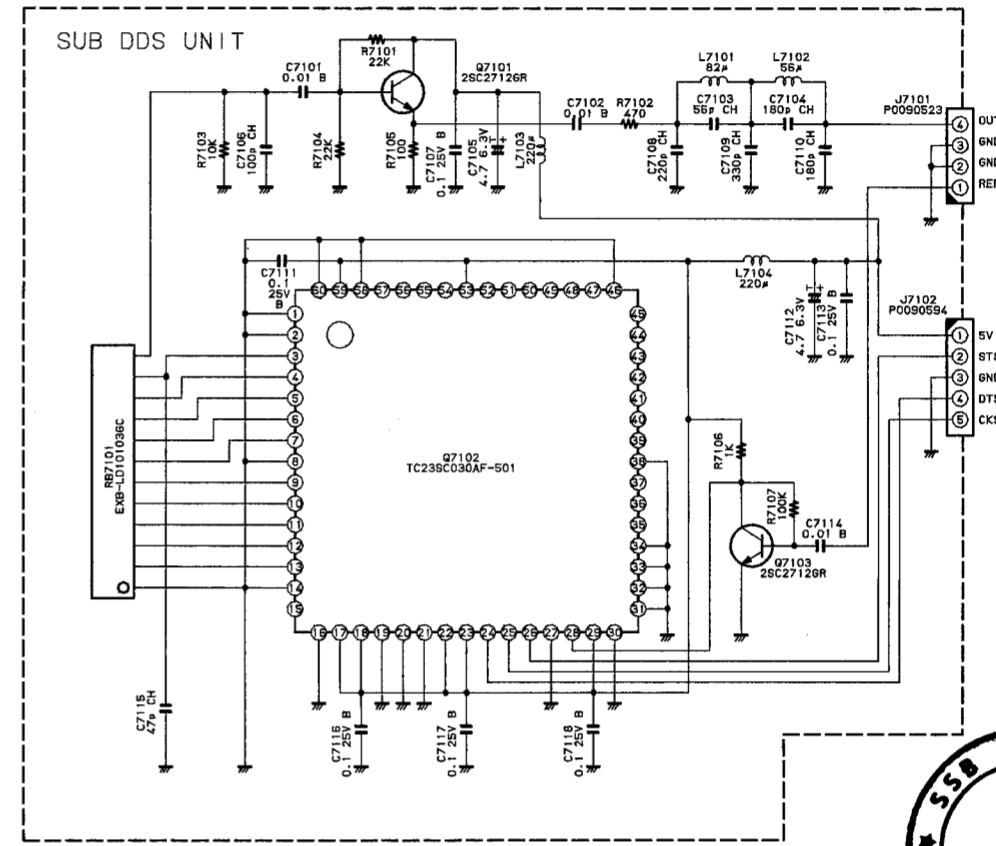
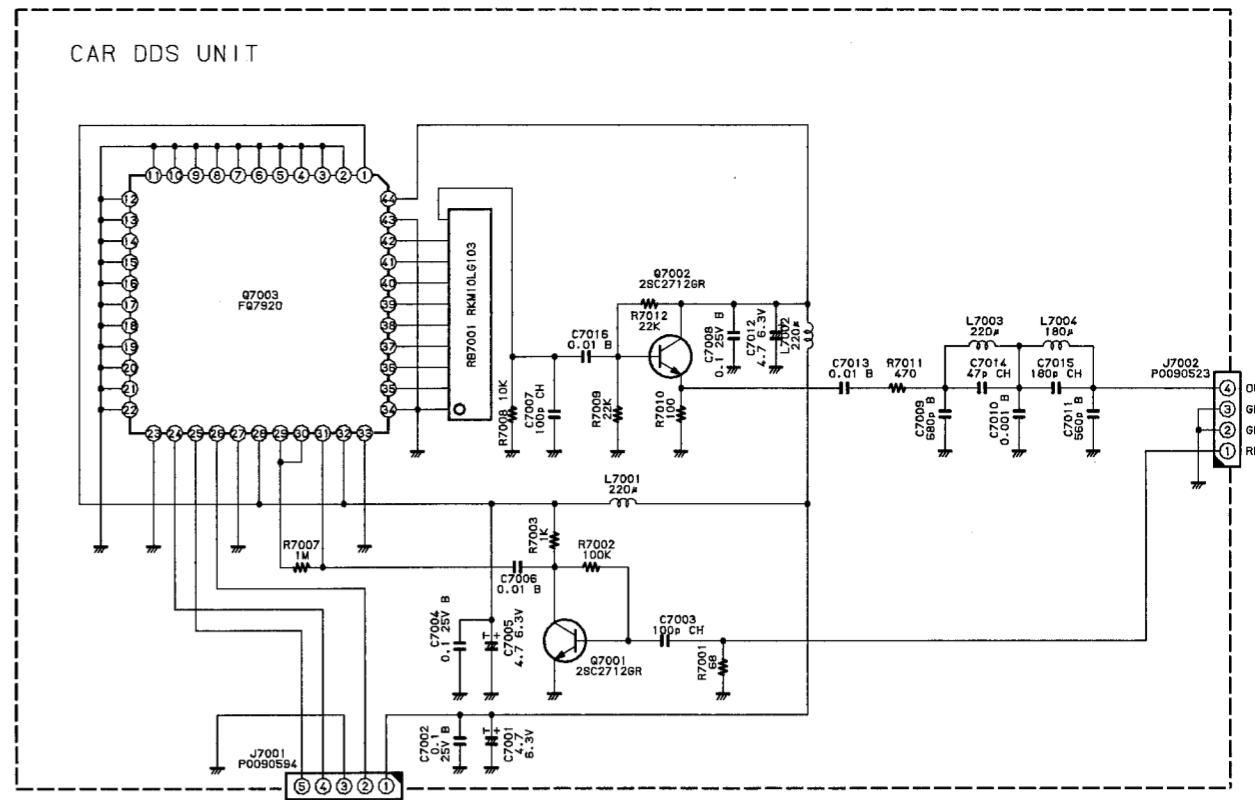
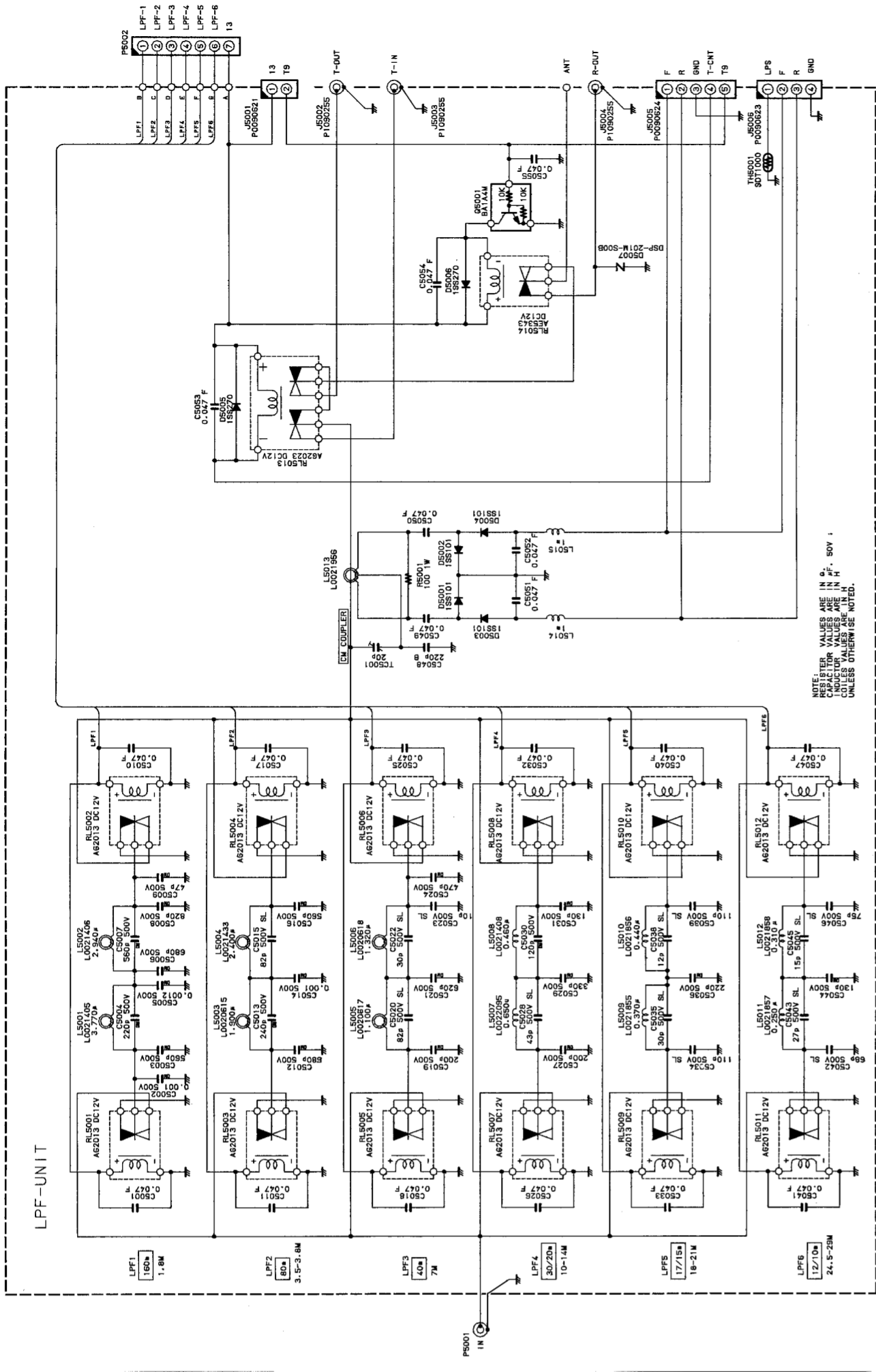
# LOCAL UNIT

1ST LO 01003 P100035  
2ND LO 01008 P100035

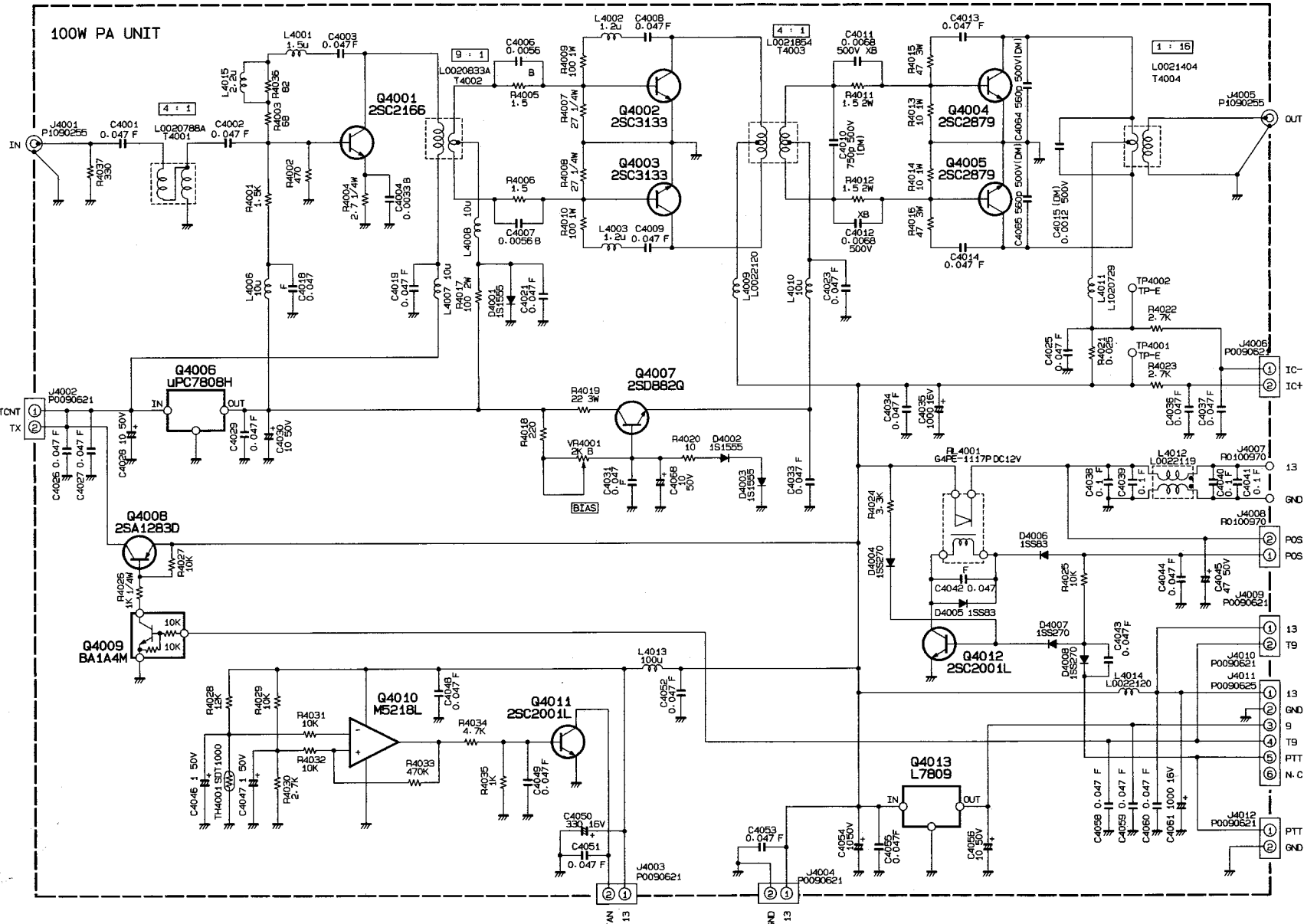


NOTE:  
RESISTOR VALUES ARE IN Ω, 1/KΩ;  
CAPACITOR VALUES ARE IN pF, nF, µF;  
(T) CAPACITOR VALUES ARE TANTALUM;  
INDUCTOR VALUES ARE IN μH  
UNLESS OTHERWISE NOTED.

R	100	100	25	10
R1374	J0228123	J0228123	J0228123	J0228123

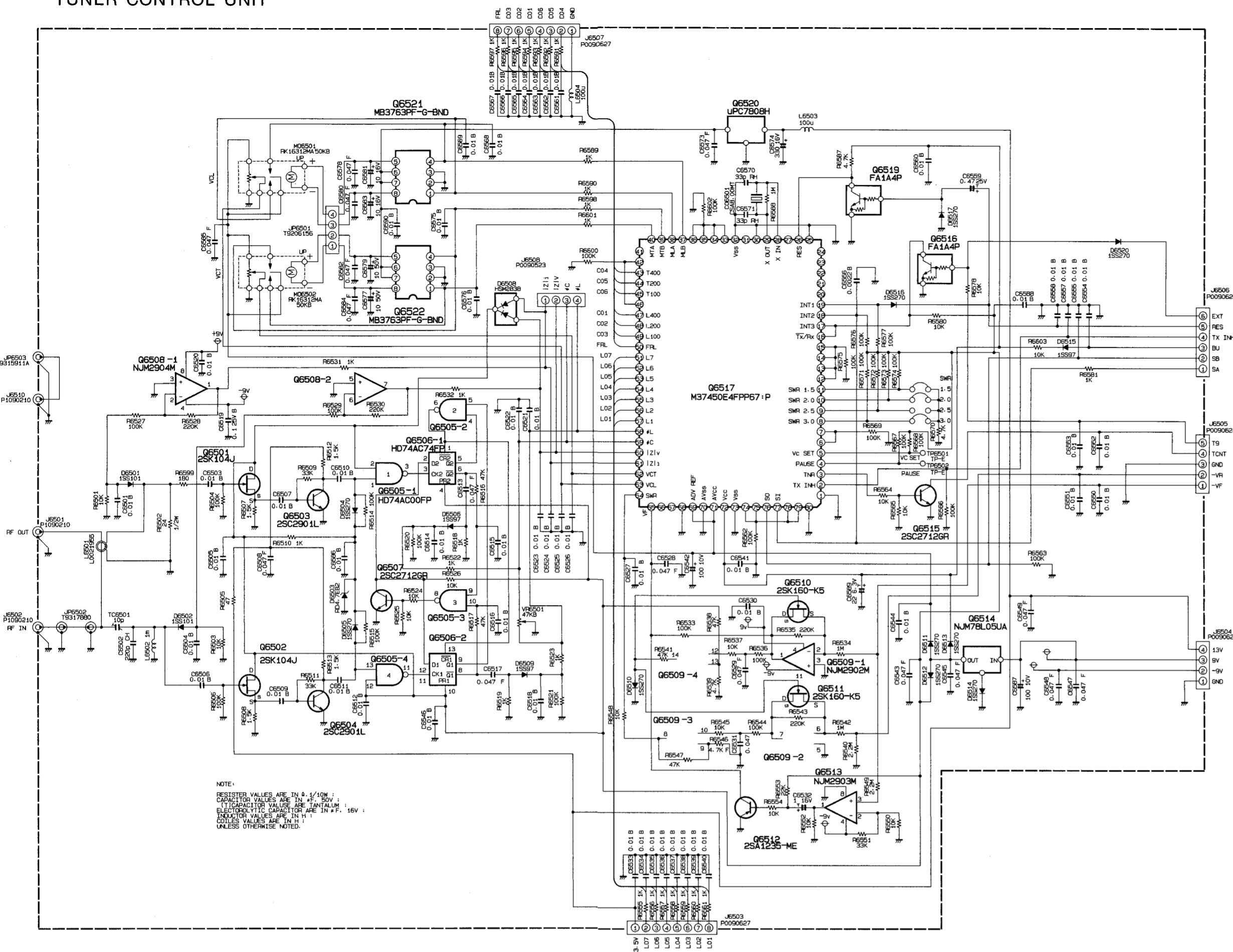


100W PA UNIT



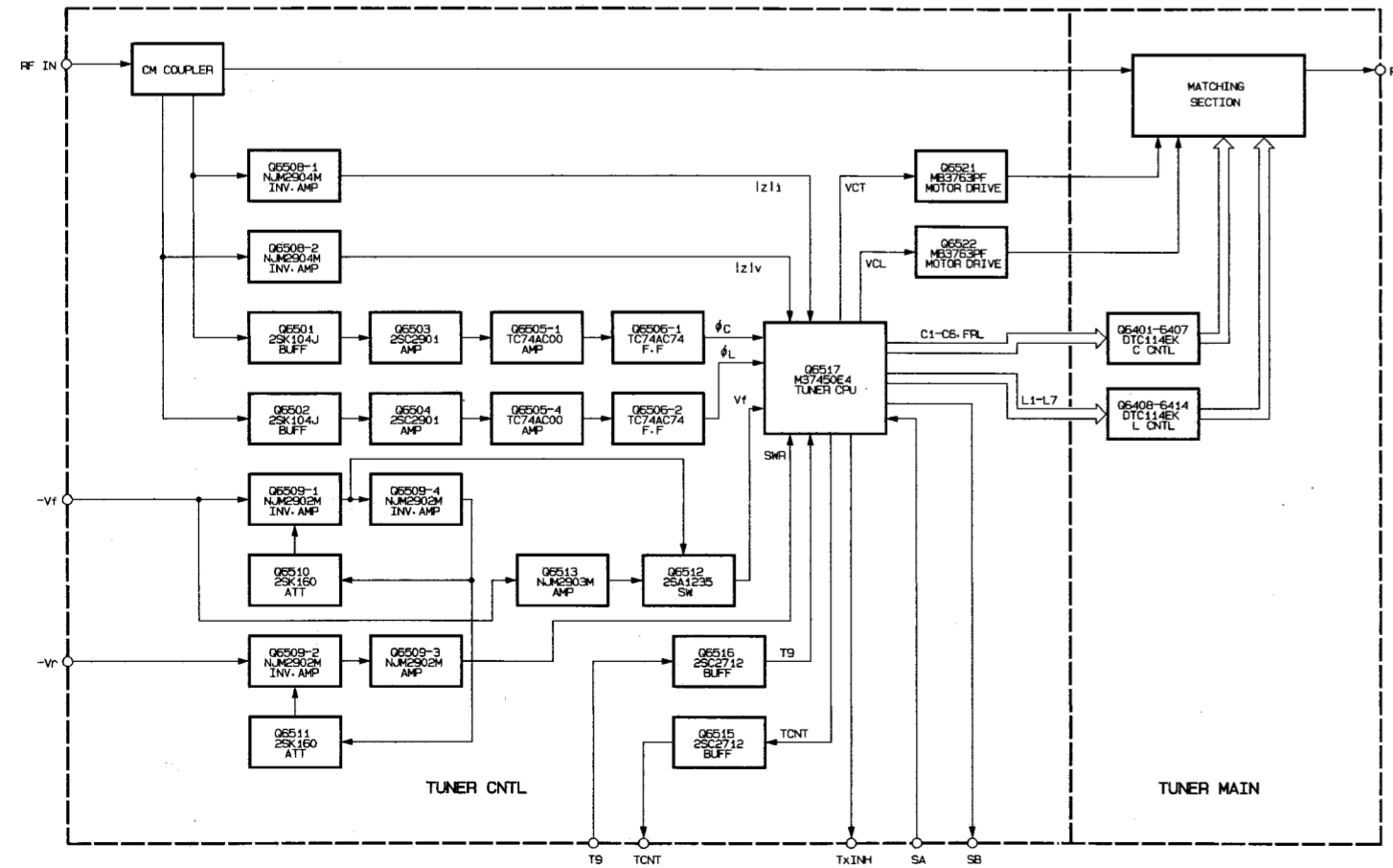


TUNER CONTROL UNIT

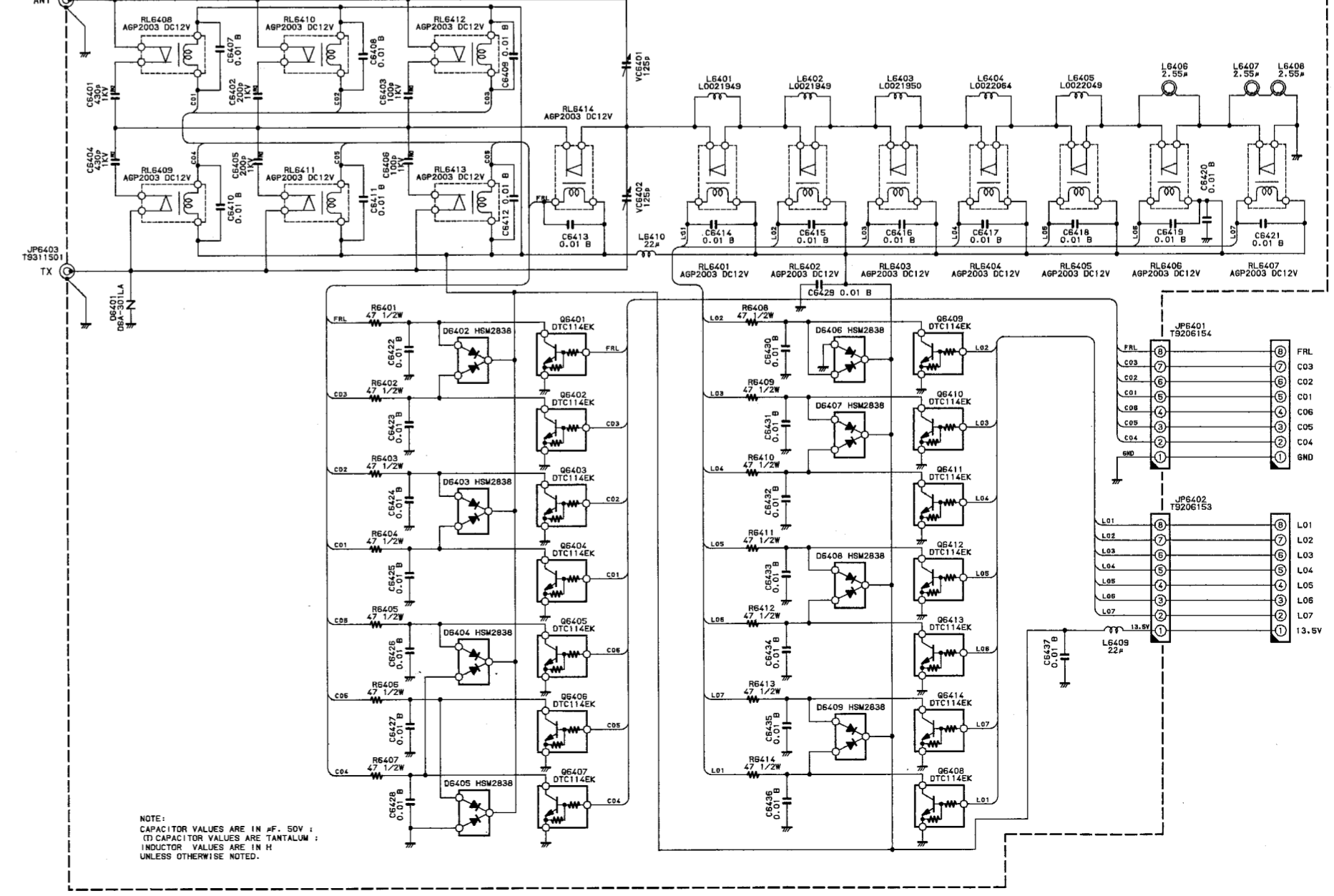


NOTE:  
RESISTOR VALUES ARE IN  $\Omega$ ,  $\frac{1}{10}$ ,  
K OHM, OR M OHM UNLESS OTHERWISE NOTED.  
CAPACITOR VALUES ARE IN P.F., 50V,  
UNLESS OTHERWISE NOTED.  
ELECTRICAL CHARACTERISTICS ARE TENTATIVE.  
INDUCTOR VALUES ARE IN H. UNLESS OTHERWISE NOTED.

TUNER BLOCK DIAGRAM



TUNER-MAIN UNIT



NOTE:  
CAPACITOR VALUES ARE IN P.F., 50V;  
INDUCTOR VALUES ARE IN H.  
UNLESS OTHERWISE NOTED.